



Room Thermostat

RAA30...

Adjustable room thermostat for heating only or cooling only systems

Room thermostat with manual ON/OFF switch
Two-position control
Switching voltage AC 24...250 V

Use

The RAA30... room thermostat is used in heating only or cooling only systems to maintain the selected room temperature.

Typical use:

- Residential buildings
- Light industrial buildings

In conjunction with

- zone valves, thermal valves
- gas or oil burners
- fans
- pumps

Functions

The front of the unit carries an ON/OFF switch.

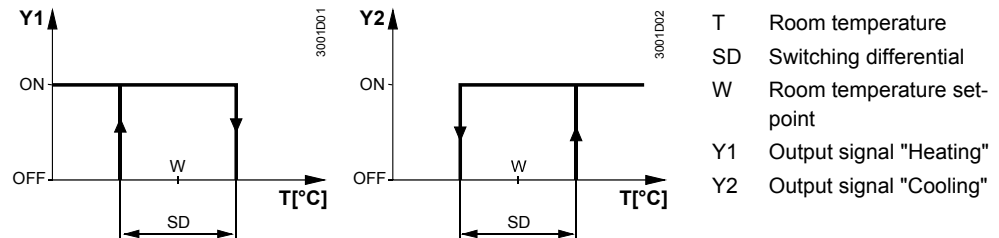
OFF

In the OFF position, the input voltage is physically separated from the output voltage.

ON

The RAA30... room thermostat has separate outputs for heating only and cooling only. If the room temperature falls below the selected setpoint, the heating contact will close. If the room temperature exceeds the selected setpoint, the cooling contact will close.

Function diagrams



Type summary

Functionality	Order number (ASN)
Thermostat for heating or cooling application with ON/OFF switch Operating voltage AC 24...250 V	RAA30
Thermostat for heating or cooling application with ON/OFF switch and operation mode indication (LED) Operating voltage AC 230 V + 10/-15 %. With instruction in Greek	RAA30.16/GR
Thermostat for heating or cooling application with ON/OFF switch and operation mode indication (LED) and independent ON/OFF switch Operating voltage AC 230 V + 10/-15 %. With instruction in Greek	RAA30.26/GR

Equipment combinations

Type of unit	Type reference	Data sheet
Motoric on/off actuator	SFA21...	4863
Thermal actuator (for radiator valve)	STA21...	4893
Thermal actuator (for small valve 2,5 mm)	STP21...	4878

Accessories

Description	Type reference
Adapter plate 120 x 120 mm for 4" x 4" conduit boxes	ARG70
Adapter plate 96 x 120 mm for 2" x 4" conduit boxes	ARG70.1
Adapter plate for surface wiring 112x130 mm	ARG70.2

Technical design

Key features of the RAA30... room thermostat:

- Two-position control
- Manual ON/OFF switch
- Gas-filled diaphragm

Adjustments

The required temperature is selected by a setpoint adjuster on the front of the thermostat.

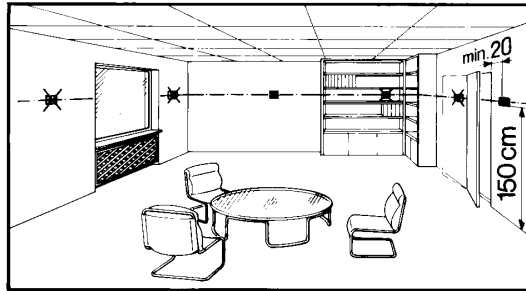
The setpoint setting range can be mechanically limited by means of setpoint limiter under the cover.

Notes

Mounting, installation and commissioning

The room thermostat should be located where the air temperature can be sensed as accurately as possible, without getting adversely affected by direct solar radiation or other heat or refrigeration sources.

Mounting height is about 1.5 m above the floor.



The unit can be fitted to most commercially available recessed conduit boxes or directly on the wall.



Only authorised personnel may open the unit to perform service (**Caution: AC 250 V**). The unit must be isolated from the mains supply before opening.

When installing the unit, fix the baseplate first then hook on the thermostat body and make the electrical connections. Then fit the cover and secure it (also refer to separate mounting instructions).

The thermostat must be mounted on a flat wall.

The local electrical regulations must be complied with.

If there are thermostatic radiator valves in the reference room, set them to their fully open position.

Maintenance

Mechanical design

The room thermostat is maintenance-free.

The diaphragm is filled with environmentally friendly gas.

The thermostat housing is made of plastic.

Technical Data



Switching capacity

Voltage

- RAA30... AC 24...250 V
- RAA30.16/GR / 30.26/GR AC 230 V +10/-15 %

Power consumption of each LED 0.5 VA (Only RAA30.16/30.26)

Current 0.2...6 (2) A

Frequency 50 or 60 Hz

Operational data

Switching differential SD ≤1K

Setpoint setting range 8...30 °C

Environmental conditions

Operation to IEC 721-3-3

Climatic conditions class 3K5

Temperature 0...+50 °C

Humidity <95 % r.h.

Pollution degree Normal, to EN 60730

Transport / storage to IEC 721-3-2

Climatic conditions class 2K3/1K3

Temperature -20...+50 °C

Humidity <95 % r.h.

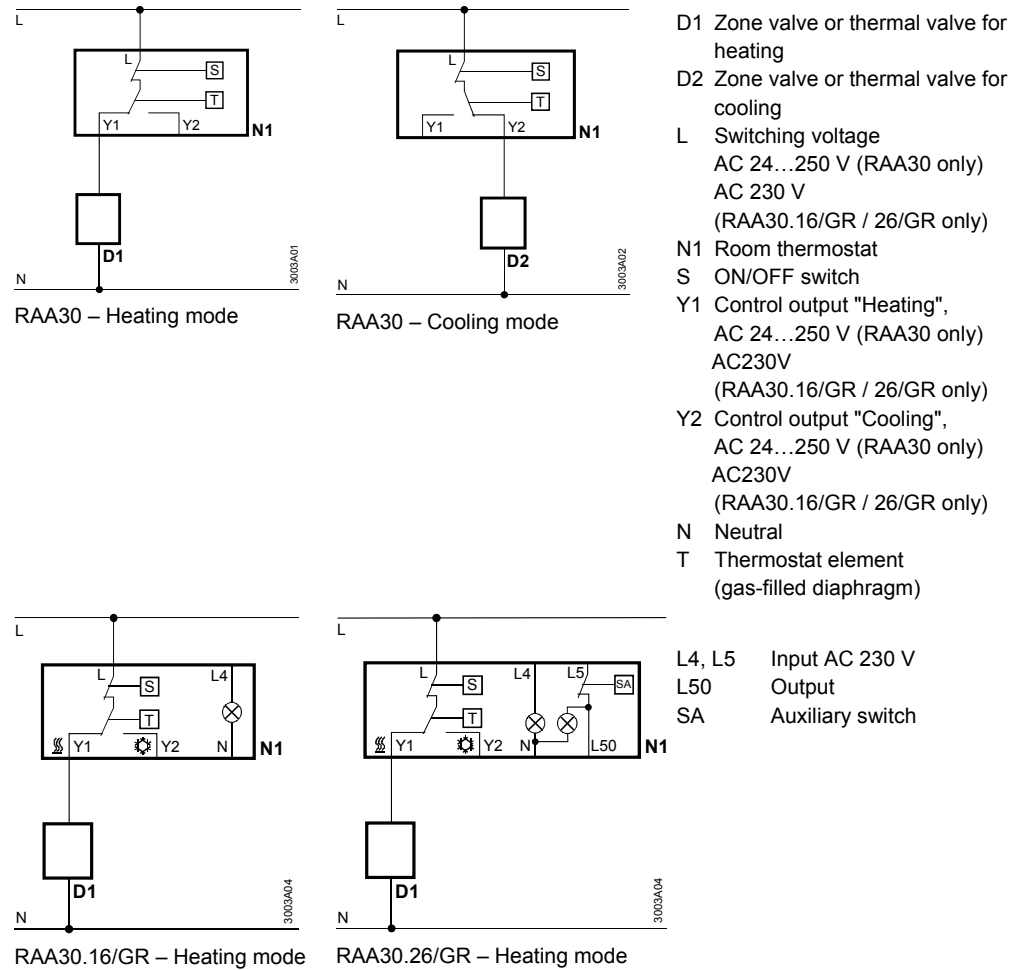
Mechanical conditions class 2M2

Packaging single packaging / min. order 20 pieces

Norms and standards

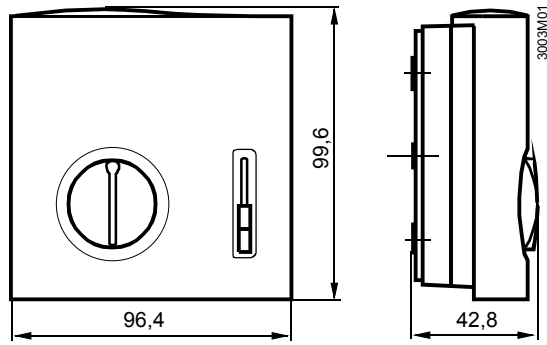
CE conformity	Low voltage directive	73/23/EEC and 93/68/EEC
	Product standard	EN 60730
C^{N474} C-Tick conformity to	EMC emission standard	AS/NSZ 4251.1:1994
	Safety standard	II to EN 60730
	Degree of protection	IP30 to EN 60529
	Screw terminals for	2 x 1.5 mm ² or 1 x 2.5 mm ² , min. (0.5 mm ²)
	Weight	0.14 kg
	Colour of top cover	white, NCS 50502-G (RAL 9003)

Connection diagrams



Dimensions

Unit



Baseplate

